

## MAINTENANCE

Ensure that the pump inlet and impeller are regularly cleaned and kept free from debris.

The Gyraactor itself can be emptied and the centre pipe carefully lifted out, complete with the bottom plate and nozzles.

All plastic parts should be cleaned with fresh water only, and any pearls which are to be reused should be washed in old tank water and returned to the reactor.

There are two plastic screws under the bottom plate. When removed, these will disassemble the jets to allow for thorough cleaning. When re-assembling, the screws only need to be finger tight.

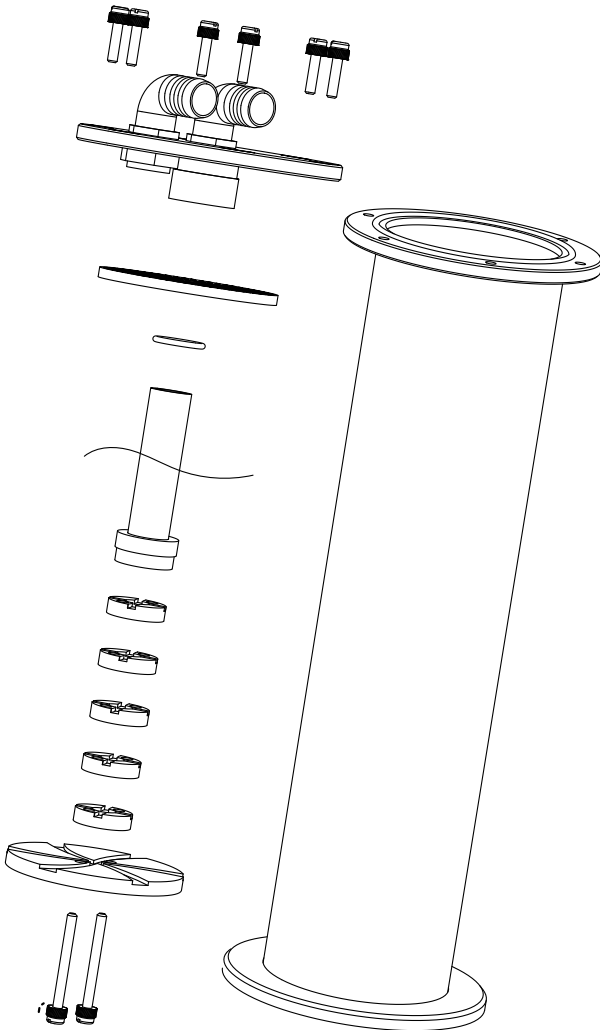
## TROUBLE SHOOTING

### Q. What if clogging occurs?

**A.** You should clean the fluidised reactor and rinse the pearls before re-adding them to the reactor and restarting it.

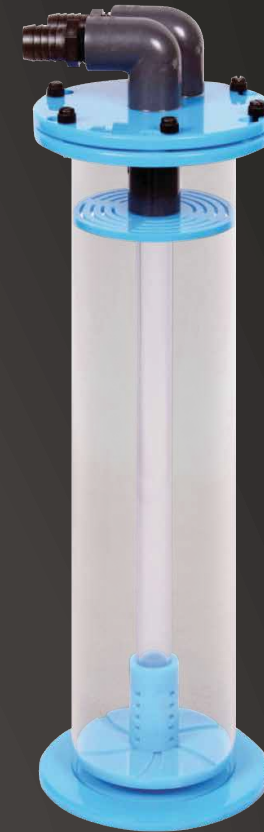
### Q. The pearls don't seem to be working particularly well. What can I do?

**A.** Check that they're not clumped together and if you're using UV or ozone, then this needs to be removed. UV and ozone can have a negative effect on the bacterial action bio pearls, reducing the speed at which the processes take place.



# iquatics

G1000 Gyraactor  
BIO REACTOR



CUSTOMER SUPPORT

☎ **01538 542070**

sales@iquatics-online.co.uk

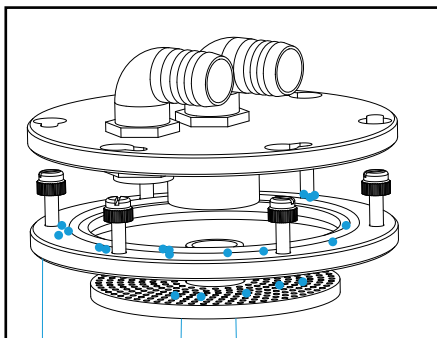
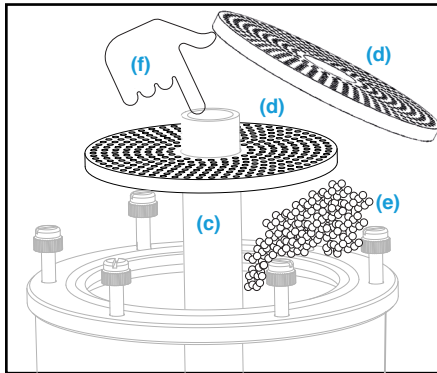
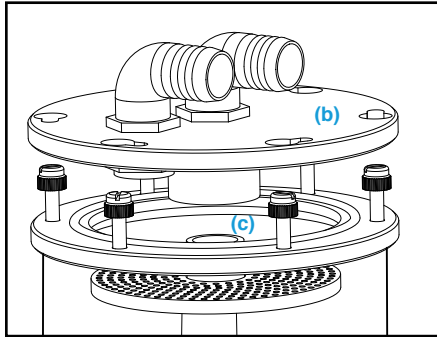
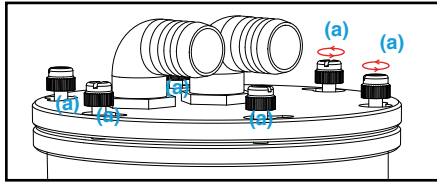
WE HOPE YOU ENJOY YOUR NEW IQUATICS GYRACTOR

COMPANY REG 06954492 | VAT REG 978518363

WWW.IQUATICS.CO.UK

**TIP** Use caution when screwing sections together, Hand tighten screw do not use a screwdriver.

**TIP** Positioning your Reactor - You should now decide if you are positioning your reactor inside or outside of the sump.



## Package Contents

iQuatics Gyreactor G1000 Bio Reactor  
2 x Threaded Hose-tails  
3 x Cable Ties  
1 x SICCE Syncra 1.5 Silent Pump (If ordered with reactor from iQuatics)  
1 x 1M Poly Pipe 19mm Internal Diameter

### Step 1

Loosen by hand, (**do not remove**) the 6 lid retaining screws at the top of the Gyreactor (**a**) and remove the lid (**b**), by slightly rotating the lid and lifting up.

Lift up the clear inner tube to access the blue plastic top filter (**c**).

Lift out the blue plastic top filter (**d**) to gain access to the main cavity.

### Step 2

Place the desired quantity of pearls into the main body of the reactor, being careful not to allow any to fall down the center feed pipe. (**e**)

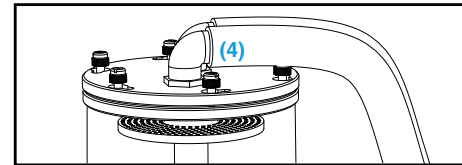
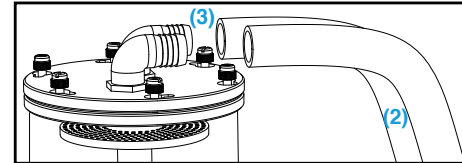
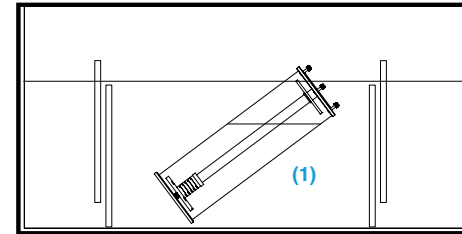
It's a good idea to block this pipe with your finger or a piece of kitchen paper.

### Step 3

Check the top of the main body to ensure there are no stray pellets that will prevent the lid from making a good seal when replaced.

### Step 4

Replace the top filter and lid, being careful not to over tighten the plastic screws. Finger tight is sufficient to prevent any leaks.



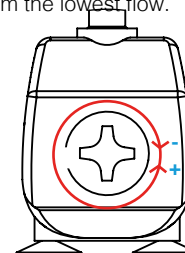
### Step 3 - Pump instructions apply to pumps supplied by iQuatics

At this point, you can power the reactor up. Some pearls may float to the top at first because air bubbles are stuck to them.

A sharp tap on the side of the reactor will release most of them, but any that remain will eventually fall back.

Set the flow control on the pump to give a gentle simmer at the top of the Gyreactor with a much more aggressive cleaning action at the bottom. The pump is purposely overrated to allow you to increase flow if the nozzles or top grille start to clog slightly.

The best starting point on pump adjustment is 2 clicks up from the lowest flow.



## INSIDE SUMP

**WARNING** - the pump needs to be submerged in the sump

It's a good idea to pre-fill the Gyreactor with water before adding to the sump. This will prevent the Gyreactor from trying to float. (**1**)

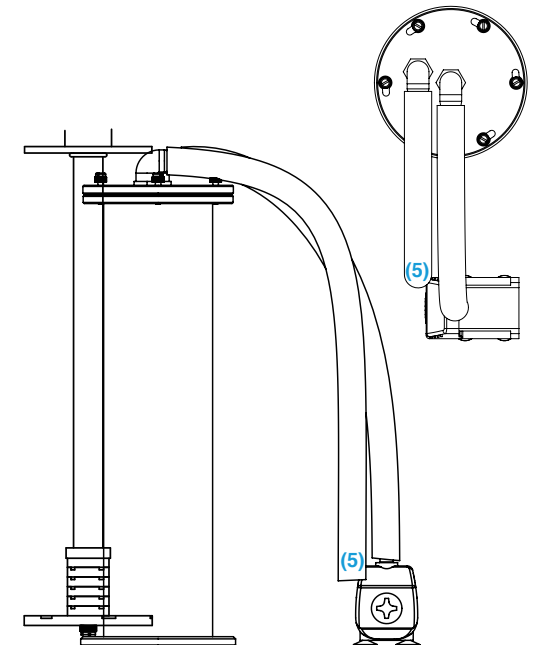
## INSIDE OR OUTSIDE SUMP

Once the final position has been found, cut the Poly Pipe to length (**2**) and connect the pump to the centre inlet pipe on top of the Gyreactor. (**3**)

### Step 2

The remaining pipe can be cut to length and fitted on the exit pipe. (**4**) The exit pipe should terminate as close to the pump input as possible, to ensure that the maximum amount of effluent from the Gyreactor can be captured (**5**)

Secure the pipes to the Gyreactor with the cable ties provided.



If you need to extend the pipework, you can use standard 19mm internal diameter Poly Pipe.